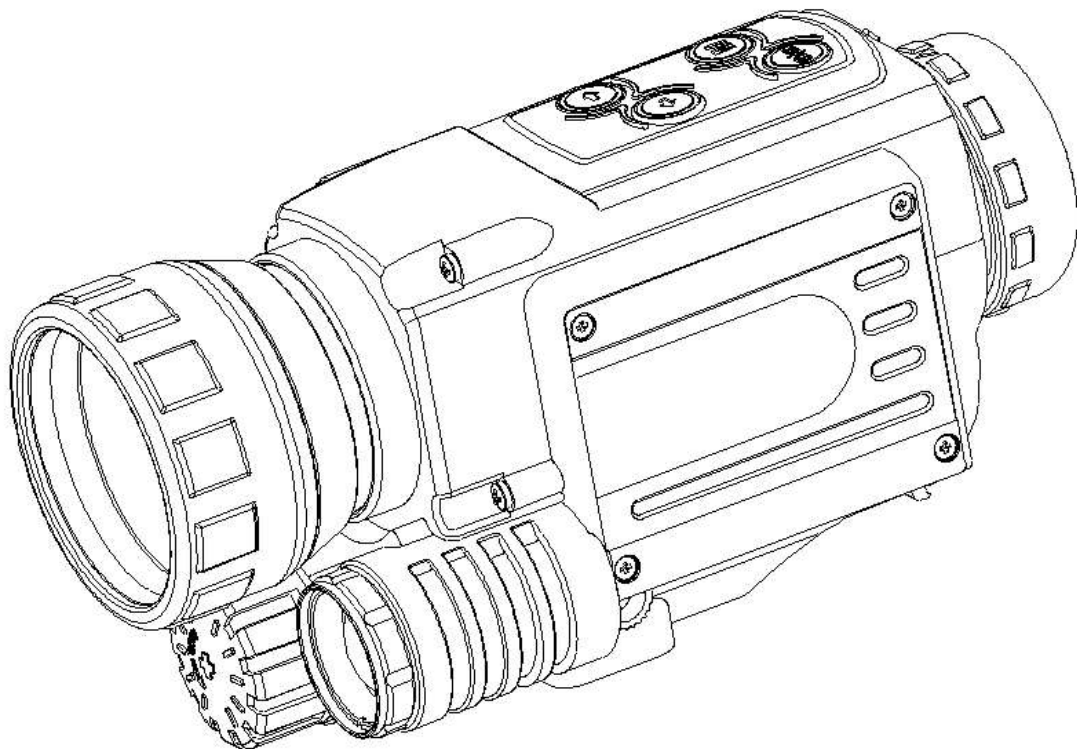


Instruction Manual

omegon



Omegon® Alpheon+-NV 4,5x40

English Version 7.2017 Rev A #53305

Omegon® Alpheon+-NV 4,5x40

Congratulations on purchasing your new Omegon® Alpheon+-NV 4.5x40. This night-vision device operates at low light levels. It gathers and boosts light emitted by objects. Thanks to the integrated IR beam, the observation range can be extended to up to 200 m. In special light conditions, such as moonlight, the observation range can even be extended to infinity. The device features a 4.5x optical zoom and is fitted with a digital 8x zoom.

1. Accessories included.

For easy use, the product is delivered with several accessories. Please have a look at the parts list for later recognition.

- | | |
|--|-----------------|
| 1. Video cable | 2. USB cable |
| 3. Power pack | 4. Carrying bag |
| 5. 2x batteries (RCR123A) or 1 battery. (RCR18650) | |
| 6. Cleaning cloth | |
| 7. Hand strap | |

2. Preparation.

Before you start using the equipment it is important to know the main control elements. There are two groups of control elements, as shown (Fig. 1 and 2).

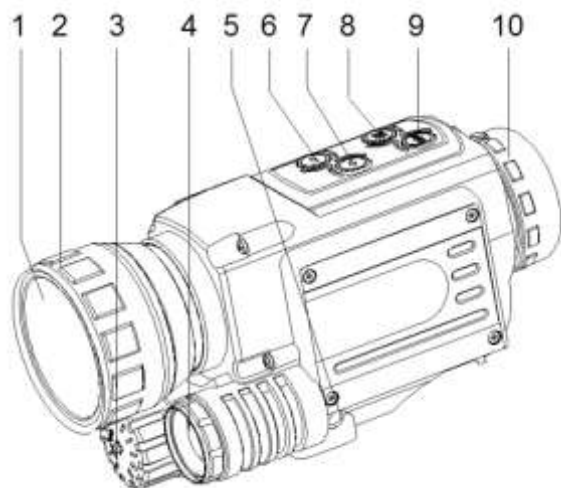


Fig. 1

On Fig. 1

1. Lens cap
2. Lens focusing ring
3. Battery compartment
4. IR lighting
5. Cover for connectors 12 to 15
6. Right arrow button
7. Left arrow button
8. Selection button
9. On/off/confirmation button
10. Eyepiece

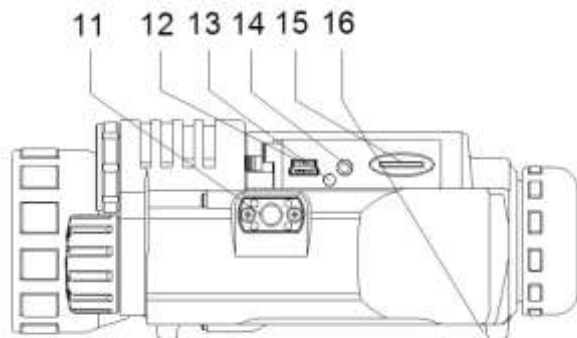


Fig. 2

On Fig. 2

11. Tripod thread
12. USB 2.0 port
13. Charge display
14. AV connectors
15. Memory card slot
16. Eyelets for hand strap

3. Commissioning

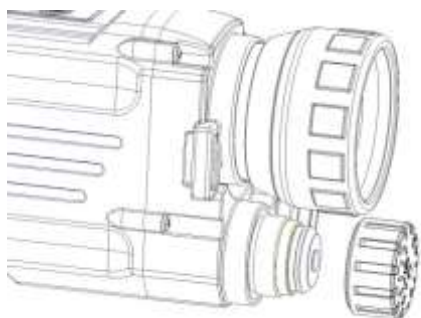


Fig. 3

First, remove the battery compartment cover. Insert the battery/batteries with the minus pole facing down, as shown, ensuring that it fits properly in place (Fig. 3).

Put the cover back on so the batteries won't fall out.

The battery/batteries provided can be recharged via the USB port.

Switch the device on by pressing and holding down the "On" button for three seconds. Remove the lens cap. Look through the eyepiece. The LCD display screen should be lit. To switch the device off again, press the "On" button again for three seconds until the display screen goes off.

If the device is switched on, some symbols will be visible on the display screen (as shown in Fig. 4). Attention: Every time the connection to the device is broken and re-established, the record mode switches to photo mode. Focus the symbols by rotating the eyepiece (no. 10). Focus the image by rotating the focus ring (no. 2).

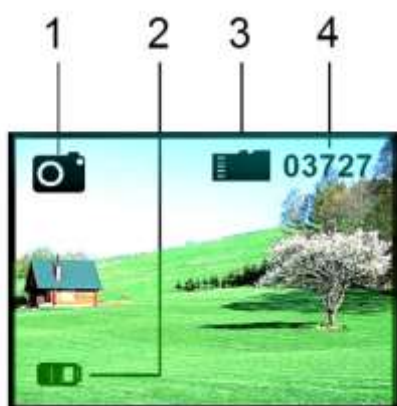


Fig. 4

Main screen functions

1. Active operating status (photo/observation mode)
2. Battery charge status
3. Memory card inserted
4. Image memory space remaining



Fig. 5

Brightness setting

The screen brightness can be adjusted. Press the selection button (#8 – Fig. 1) for two seconds. A menu will be displayed. On the monitor an * will be shown before "Bright". Use the left and right buttons to adjust the brightness (in the example, it is set to "7"). There are nine brightness levels (1-9). The left button increases brightness, and the right button reduces it. To exit, press the selection button again.

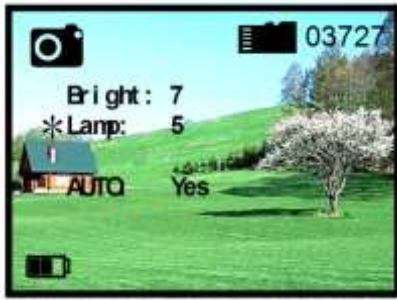


Fig. 6



Fig. 7

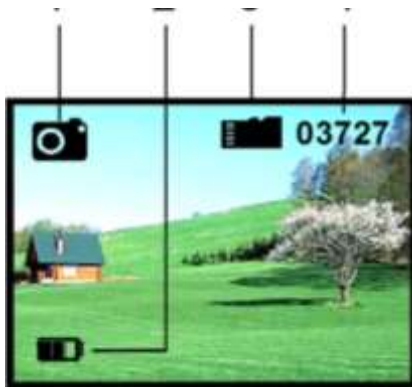
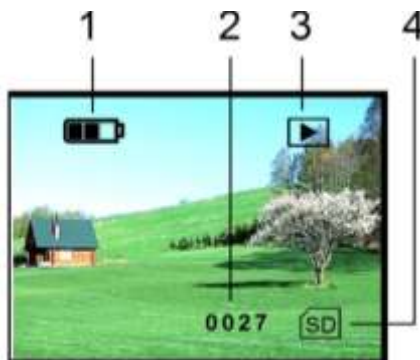


Fig. 8 Fig. 9



Infra-red lighting

When in observation mode (photo mode), press the selection button, #8, for 2 seconds to go to the lighting menu. If there is insufficient light, you can switch on the infra-red lighting. Infra-red (IR) lighting improves the visible range and the brightness of the image. To switch on IR lighting, press the selection button twice (#8 – Fig. 1). “*LAMP:” will be displayed on the monitor. Press left and right to adjust the lighting (in the example: “5”). There are 9 levels of IR lighting (1-9). The left button increases lighting intensity, and the right button reduces it. To exit, press the selection button again. “NV5” will be displayed briefly to show the brightness or lighting level.

Please note: In each operating mod, the menu will go off after 5 seconds if no buttons are pressed

Photo mode

Taking photos

When the device is switched “ON”, it will automatically be in photo mode. Press the confirmation button (no. 9) to take a picture. This image will be saved automatically.

1. Photo mode
2. Battery charge status
3. Memory card inserted
4. Image memory space remaining

View photos

When in photo mode, press the selection button (no. 8) to go to video mode. When in video mode, select the “Playback” option with the selection button. If you press and hold down the confirmation button, you can delete the photo.

1. Battery status
2. Number of photos/videos
3. Playback mode
4. Memory card inserted

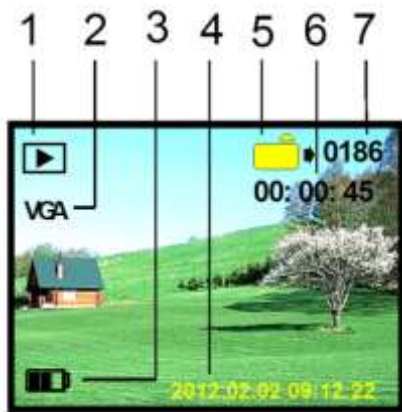


Fig. 10

View videos

When in video mode, press the selection button (no. 8) to go to playback mode. In this way, you can play back and view any videos you have made. With the “up” and “down” buttons, you can scroll through the images and videos. Press the confirmation button to start and stop a video. Press the confirmation button to exit the menu again.

1. Video playback mode
2. Video VGA format
3. Battery charge status
4. Date/time
5. Video serial number
6. Video recording duration
7. Number of files

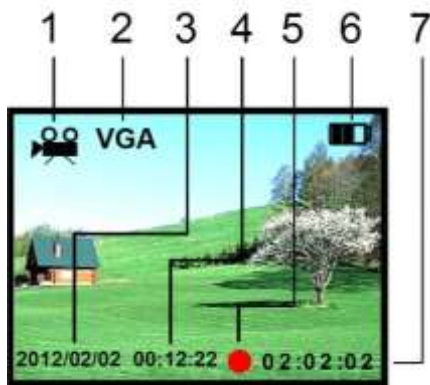


Fig. 11

Recording videos

To go to video mode, press the selection button (no. 8) twice to scroll between the various available options. You will see the video symbol. Press the confirmation button (no. 9) to record a video. The video will be saved. Select no. 9 by pressing confirmation button to stop recording.

1. Video record mode
2. Video VGA format
3. Date
4. Total record time
5. Record display
6. Battery status
7. The current recording



Fig. 12

Automatic operation

Scroll with the “left” and “right” buttons through the main menu, and place an * before “AUTO” by pressing the selection button. Use the “left” or “right” button to enter “Yes” or “No”. The device will then adjust the lighting automatically.

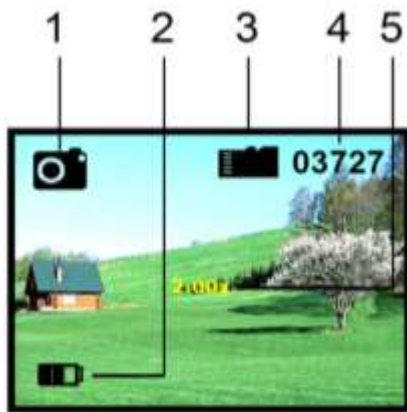


Fig. 13

Electronic zoom

You can zoom into the image electronically by pressing the “left” and “right” buttons. The desired magnification can be set to 8x for photos and up to 3x for videos.

1. Photo mode
2. Battery charge status
3. Memory card inserted
4. Files saved
5. Electronic zoom factor

Date and time

To adjust the date and time, connect the device to a computer using the USB cable provided. Search for the night vision device in the list of available devices on the computer. With the Editor create a new file called “time.txt” and simply write the date and time to the file. The format of the date and time should be as follows: yyyy.mm.dd hh.mm.ss, so, for example: 2015.07.12 23:12:10.

Make sure you don’t add any additional spaces after the date and time, and store the files in the main folder of the night vision device. The date and time will be deleted from the device if the batteries are removed or are flat and if the device is not used for a long time. Remove the USB cable from the port.

The format of the date and time should be as follows: yyyy.mm.dd hh.mm.ss, so, for example: 2015.07.12 23:12:10.
The date and time will be deleted from the device if the batteries are removed or are flat and if the device is not used for a long time.

Video output (OUT)

You can connect the device to a television set or video recorder. Simply use the video cable provided and connect it to the video port. Hold the POWER button down for three seconds until the devices emits the video signal.

USB / computer connection

Connecting the device to a computer will also charge the batteries. You can also copy or delete some of the photos and videos you took. Simply search for the saved files in the SD card memory.

Automatic switch off

The device will switch off automatically if it is not used for more than three minutes, except if it is in playback mode (photo and video).

Functions and equipment

Batteries: The device comes with either 2x RCR123A (650mAh, 3.7V) or 1x RCR18650 battery – please charge them for at least 12 hours before using the device for the first time. Connect the power cable to the USB port to charge the batteries. A red LED light next to the port will be lit during charging. If it is no longer lit, the batteries are fully charged.

Weight: 420g

Field of vision: 5x3.75 degrees

Magnification: 4.5x

Range: in low light, 200 m

Lens focal length: 40 mm